



# EXPERT <sup>500</sup> <sub>600</sub>

## STONE SAWS

*Designed and made in Italy*

### CONTROL BOARD

- Switch with release coil
- Overheat protection in the event of the disk jamming
- Mushroom-head push button to stop the machine
- Laser instrument for the maximum cutting precision (optional in standard version).

### KIT WHEELS

The wheels are Ø200 mm and can be fixed at the legs by means eyebolts. Due to their conception and for the legs' inclination, are very functional and allow the machine to be easily moved if lightly lifted up by the handles.

### STORAGE

Build to reduce at the maximum the encumbrance during the carriage and above all the storage space.

	Art. 9601	Art. 9600	Art. 9501	Art. 9500
DIAMOND DISK (not included)	Ø600 mm (int Ø25,4 mm)	Ø600 mm (int Ø25,4 mm)	Ø500 mm (int Ø25,4 mm)	Ø500 mm (int Ø25,4 mm)
ENGINE	400V   50Hz 5,5Hp/4kW	400V   50Hz 5,5Hp/4kW	400V   50Hz 5,5Hp/4kW	400V   50Hz 5,5Hp/4kW
ROTATION SPEED	1400 rpm	1400 rpm	1400 rpm	1400 rpm
AMPEROMETRICAL PROTECTION	10-16A	10-16A	10-16A	10-16A
MAX CUTTING LENGTH	750 mm	750 mm	750 mm	750 mm
MAX CUTTING DEPTH AT 90°	220 mm	220 mm	170 mm	170 mm
MAX CUTTING DEPTH WITH 2 RUNS	285 mm	285 mm	235 mm	235 mm
WORKING TABLE SIZE	520 x 443 mm	520 x 443 mm	520 x 443 mm	520 x 443 mm
WATER RECYCLING PUMP TYPE	S3 standard	S3 standard	S3 standard	S3 standard
KIT WHEELS	Standard	Optional	Standard	Optional
LASER INSTRUMENT	Standard	Optional	Standard	Optional
DIMENSION MACHINE IN SERVICE	720x1180x h. 1520 mm	720x1180x h. 1520 mm	720x1950x h. 1478 mm	720x1950x h. 1478 mm
DIMENSION MACHINE IN STOCK	800x1200x h. 1030 mm	800x1200x h. 1030 mm	800x1200x h. 1030 mm	800x1200x h. 1030 mm
NET WEIGHT	85 Kg	80 Kg	85 Kg	80 Kg

AVAILABLE ALSO SINGLE PHASE: ENGINE 4,5 Hp | 3,5 kW



**BATTIPAV**<sup>TM</sup>  
MACCHINE PER EDILIZIA | MACHINES FOR BUILDING

Z. i. 2 - Via Cavatorta, 6/1 | 48033 Cotignola (Ra) | ITALY  
Tel. +39 0545 40004 | Fax +39 0545 41724  
www.battipav.com | sales@battipav.com

AUTHORIZED DEALER:

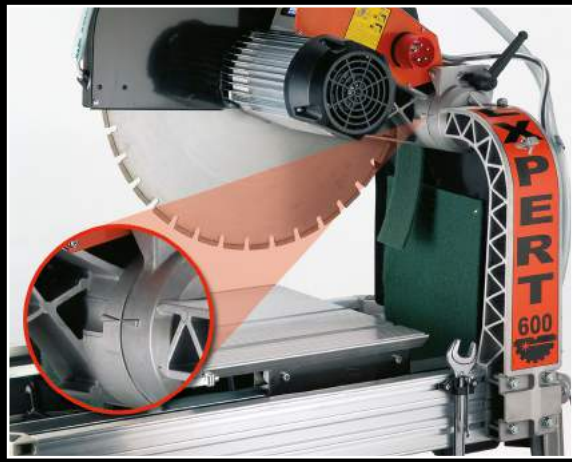


February 2017

### APPLICATION

Built to cut bricks, proton blocks, marble blocks and all the different kind of materials for the building sector.





The cutting head and the arm are in die-casting aluminium to get the maximum of rigidity and lightness.  
Quick reading indicator of the position for the cut in 2 RUNS.



An acoustic signal is activated when the phase is opposite to the direction of rotation of the diamond disk (Optional).



ORIGINAL RECYCLING PUMP



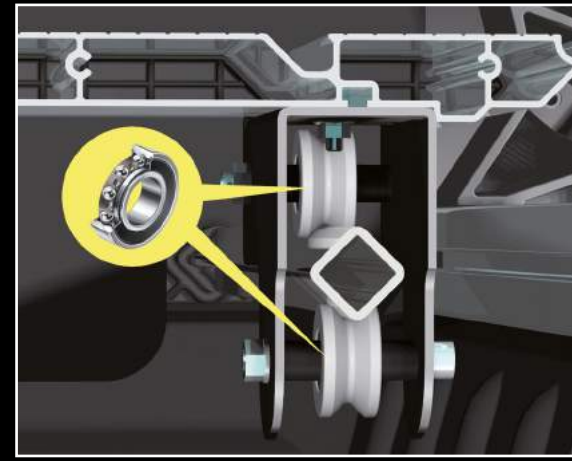
The cutting head is tilting and can be locked at the intended height.



The cutting position with sliding carriage.

**LASER TRACER**

- Connected directly to the net.
- Bulb with millimetrical adjustment of the ray in three space's directions.
- Lens with interchangeable protection glass.



The working table is very strong and steady.

- It slides on 2 steel square rails with 6 wheels; 4 over and 2 under.
- Every wheel has 2 ball bearings for a total of 12.

